

Distributed by JNL Trading OÜ ,  
Tallinn Estonia  
email [J.N.L.Trading@outlook.com](mailto:J.N.L.Trading@outlook.com)  
Tel 5375 7553  
[www.jnltrading.ee](http://www.jnltrading.ee)



# 2024-2025 CATALOG

# CONTENTS



**MODULAR CANOPY** *New!* 01 02



**FUTURISTIC DRAWER SYSTEM** *New!* 03 04



**UNIVERSIAL AGGRESSIVE NUDGE BAR&  
MK ROLL BARS** *New!* 05 06



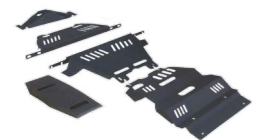
**PREDATOR BULL BAR&H1 REAR BAR** 07 08



**S1 BULL BAR& S1 REAR BAR** 09 10



**LD2 BULL BAR& LD2 REAR BAR** 11 12



**SKID PLATE& HD1 SIDE BARS** 13 14



**HD2 SIDE BARS& RAPTOR SIDE BARS** 15 16



**MT2 ROLL BAR& ML ROLL BARS** 17 18



**MR2 ROLL BAR** 19 20



**UNIVERSAL UTILITY BED RACK** 21 22



**T3 ROOF RACK& MODULAR TOW BAR** 23 24



**FENDER FLARE& BONNET GUARD** 25 26



**SUZUKI JIMNY 19-24** 27



**FORD BRONCO 21-24** *New!* 28 29



**GWM TANK 300** *New!* 30 31

# MODULAR CANOPY

# MODULAR CANOPY

New!



## APPLICATION LIST

MAKE	MODEL	SUB-MODEL	FROM	TO
TOYOTA	HILUX REVO	DOUBLE CAB	2015	2024
NISSAN	NAVARA	DOUBLE CAB	2021	2024
FORD	★ RANGER / WILDTRAK / RAPTOR	DOUBLE CAB	2023	2024
MAZDA	BT-50	DOUBLE CAB	2021	2024
ISUZU	D-MAX	DOUBLE CAB	2021	2024
MITSUBISHI	TRITON	DOUBLE CAB	2024	2024
SSANGYONG	MUSSO	LONG BED	2018	2024
MAXUS	T60	SHORT BED	2017	2024
CHANGAN/ PEUGEOT	HUNTER/ LANDTREK	DOUBLE CAB	2020	2024

★J-BRACE ARE NEEDED AND TO BE ORDERED SEPARATELY

New!



### BUILT TOUGH

Over 150 kgs payload capacity on top in dynamic and over 400 kgs payload capacity in static

### BUILT TO LAST

Full automotive grade stainless steel gives you confidence to have 3 year warranty<sup>①</sup> for any weather condition



### BUILT TO ADVENTURE

Integrated roof rail and molle panel<sup>2</sup> to extend your adventure gears  
Tinted rear glass

### BUILT TO AESTHETIC

Industrial grade invisible hinges, an award design enhances the value more than a canopy

### BUILT TO UTILITY

Double ventilation systems and LED lights<sup>3</sup> will facilitate your canopy life ever  
E-mark approved high-level brake light



### BUILT TO SIMPLICITY

Groundbreaking modular design but with ready-fit components, 1.5 hours for entire installation to green hand



WEATHER PROOF



EASY FIT & REMOVAL



STAINLESS STEEL



UNIVERSAL T-TRACK ROOF RAIL



3 YEAR WARRANTY

\*REMARK: ①: limited 3 year warranty, ②&③: to order separately

# FUTURISTIC DRAWER SYSTEM



## APPLICATIONS

MAKE	MODEL	SUB-MODEL	FROM	TO
TOYOTA	HILUX REVO	DOUBLE CAB WITHOUT BEDLINER	2015	2024
NISSAN	NAVARA NP300 (THAILAND)	DOUBLE CAB WITHOUT BEDLINER	2021	2024
NISSAN	NAVARA NP300 (SPAIN)	DOUBLE CAB WITH BEDLINER	2014	2024
FORD	RANGER/WILDTRAK/RAPTOR	DOUBLE CAB WITHOUT BEDLINER	2012	2022
FORD	RANGER/WILDTRAK/RAPTOR	DOUBLE CAB WITH BEDLINER	2023	2024
MITSUBISHI	TRITON/ L200	DOUBLE CAB WITHOUT BEDLINER	2015	2023
MITSUBISHI	TRITON/ L200	DOUBLE CAB	2024	2024
MAZDA	BT-50	DOUBLE CAB	2020	2023
ISUZU	DMAX	DOUBLE CAB	2020	2024
GREAT WALL	POER (SHORT BED)	DOUBLE CAB WITHOUT BEDLINER	2020	2024
MAXUS	T60 (SHORT BED)	DOUBLE CAB WITHOUT BEDLINER	2017	2024
SSANGYONG	MUSSO(LONG BED)	DOUBLE CAB	2018	2024
VOLKSWAGEN	AMAROK	DOUBLE CAB	2010	2022
AMERICAN TRUCKS				
JEEP	GLADIATOR	5" BED	2019	2024
FORD	F150	5.5" BED	2015	2024
CHEVY	SILVERAD	5.5" BED	2016	2024
DODGE	ORAM	5.5" BED	2019	2024

# FUTURISTIC DRAWER SYSTEM

New!



## ECO-FRIENDLY MATERIAL BUT MORE THAN THAT

- Made of harmless HDPE material, which benefits light-weight feature (at least 30% lighter than anyone in the market) .
- Reinforced aircraft-grade aluminum configuration ensures the drawer system to stay firm in any situations
- Industrial grade heavy-duty drawer slides provide safety, soft-closing and hassle-free reset functions
- The platform has payload capacity of more than 400kgs (distributed evenly) and 80kgs per drawer (distributed evenly)
- Quick installation duration: two persons in 1 hour (For experts) and 1.5 hours (For green-hands)

## LET'S GET ORGANIZED

- 6pcs dividers for two drawers offer you more compartments to place your equipments. The removable thick dividers will keep intact when suffer strike during emergency brake.
- Storage cans on both sides are excellent complements to your small packet. Cans are also lockable to keep your belongings safe.

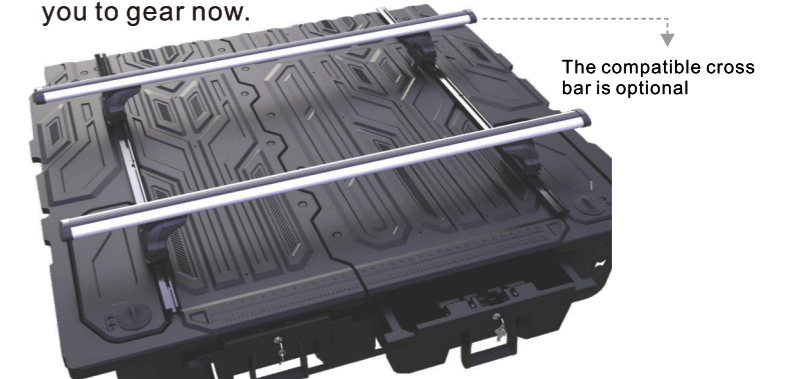


## WEATHERPROOF? OF COURSE



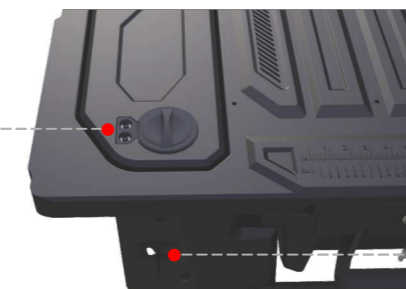
## ALUMINUM PLATFORM TRACK (STANDARD)

- If you are looking to permanently mount tracks that provide a strong, low profile attachment point for Yakima or Thule rack systems, we get you to gear now.



## SECURE (MOBILE SAFE)

- 2 \* Lockable storage can in 1 key
- 2 \* drawer in 1 key
- Spare keys are offered for each lock together

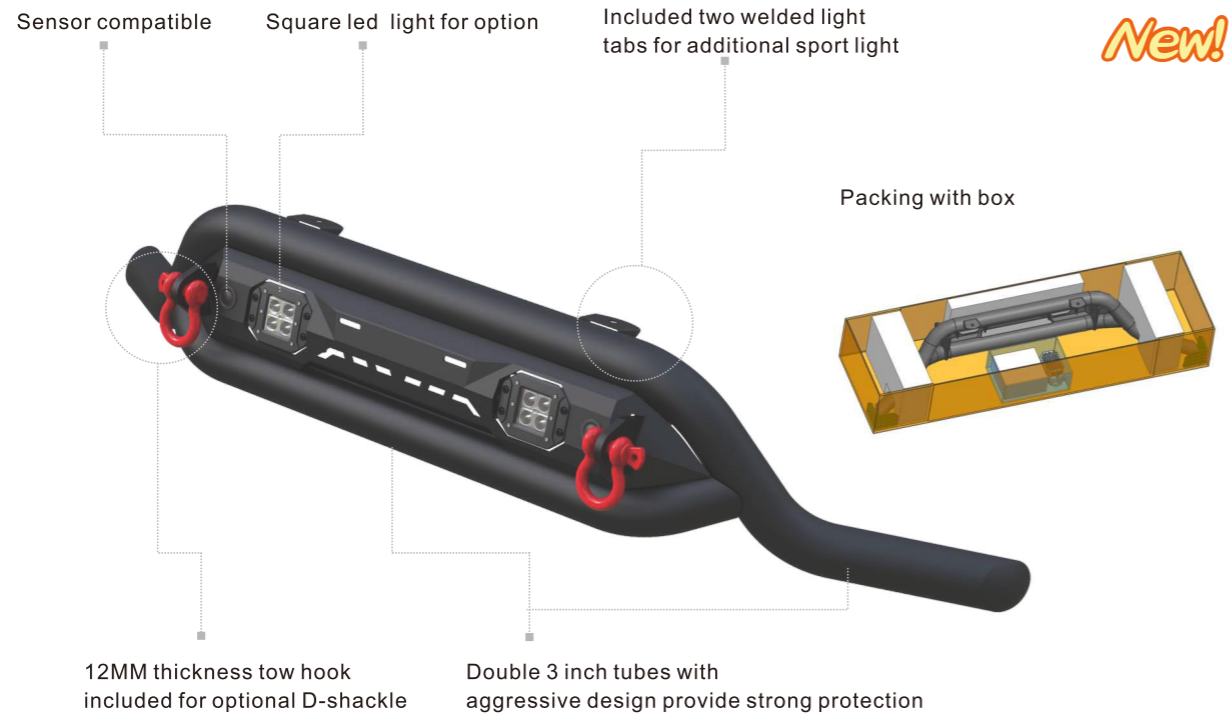


## BEER OPENER

- Let's get beer anytime with our futuristic drawer system.



# UNIVERSIAL AGGRESSIVE NUDGE BAR



▲ ISUZU DMAX 2022



▲ FORD RANGER 2016



▲ TOYOTA HILX REVO 2021

## APPLICATION LIST

CAR MODEL	YEAR	NUDGE BAR PART NO.	BRACKET PART NO	REMARK
TOYOTA	HILUX REVO	15-24	KSL05029001	★ LED LIGHTS AND D-SHACKLES ARE OPTIONAL
NISSAN	NAVARA NP300	21-24	KSL05014201	
FORD	RANGER	16-22	KSL05014901	
		23-24	KSL05015001	
ISUZU	D-MAX	21-24	KSL05014301	
MAZDA	BT50	21-24	KSL05200201	
MITSUBISHI	TRITON MR/L200	19-23	KSL05014401	
		2024	KSL05127801	
WOLKSWAGEN	AMAROK	23-24	KSL05015001	

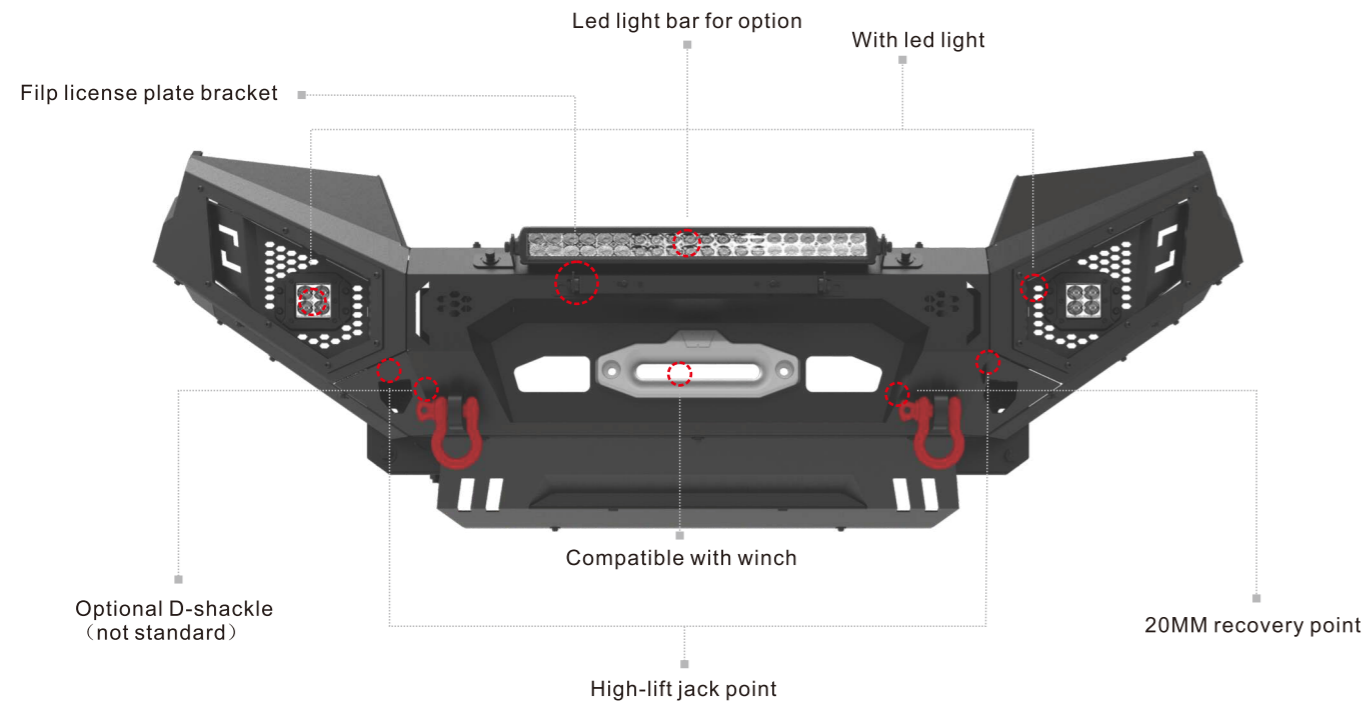
# MK ROLL BARS



## APPLICATION LIST

CAR MODEL		YEAR	PART NO./FLAT BASE	PART NO./COVER BASE
TOYOTA	HILUX REVO	15-24	KSL050752	KSL050604
FORD	RANGER	23-24	KSL049115	KSL050604
		16-22	KSL050752	KSL050604
	RAPTOR	18-24	KSL050752	KSL050604
NISSIAN	NAVARA/NP300	15-24	KSL050752	KSL050604
MITSUBISHI	TRITON	19-24	KSL050752	KSL050604
ISUZU	D-MAX	21-24	KSL050752	KSL050604
MAZDA	BT50	21-24	KSL050752	KSL050604
VOLKSWAGEN	AMAROK	23-24	KSL049115	KSL050604

# PREDATOR BULL BAR



▲ ISUZU DMAX 2022



▲ FORD RANGER 2023

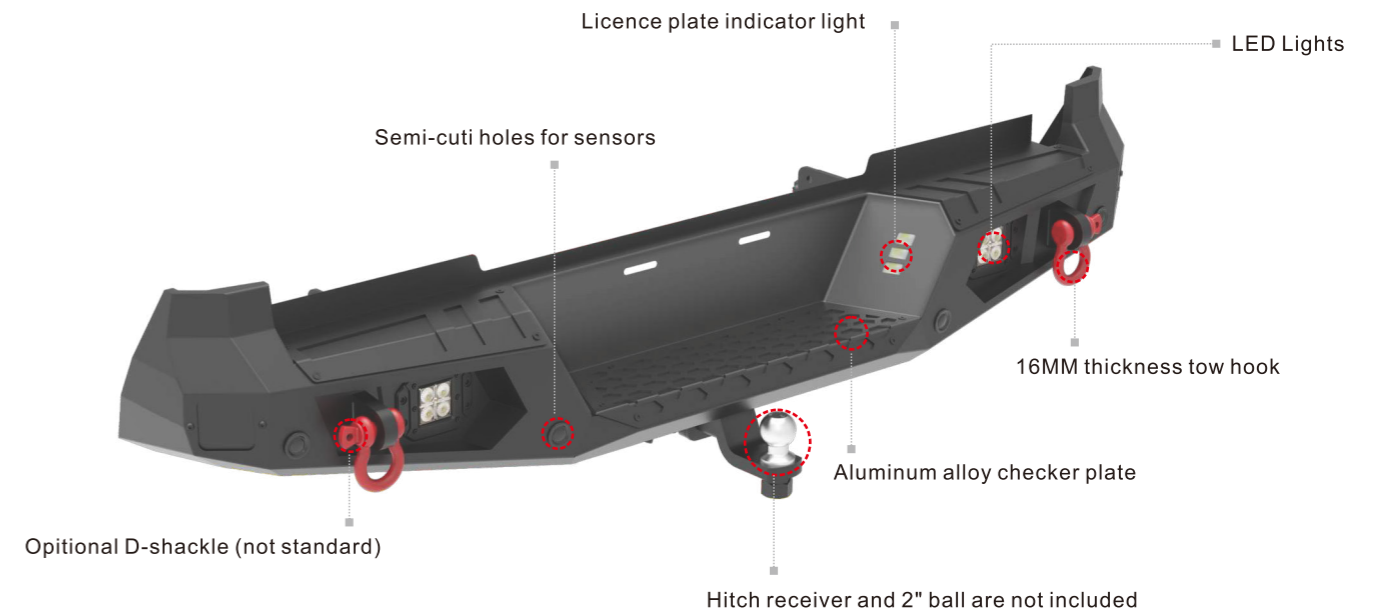


▲ MITSUBISHI TRITON 2019-200

## APPLICATION LIST

CAR MODEL	YEAR	PART NO.	CERTIFICATE	
TOYOTA	HILUX REVO	19-24	KSL04402701	REQUIRE FACTORY GRILLE TO BE CUT  ADR PENDING
NISSAN	NAVARA NP300	21-24	KSL04164701	
FORD	RANGER	23-24	KSL04522901	
	RANGER RAPTOR	18-22	KSL04173001	
ISUZU	D-MAX	23-24	COMING SOON	
		21-23	KSL04243801	
MAZDA	BT50	21-23	COMING SOON	
MITSUBISHI	TRITON MR/L200	19-23	KSL04353801	
		2024	COMING SOON	
WOLKSWAGEN	AMAROK	23-24	COMING SOON	
GWM	CANNON	2021	KSL04403001	

# H1 REAR BAR



▲ NEW H1



▲ CURRENT H1

## APPLICATION LIST

CAR MODEL	YEAR	PART NO.	REMARK	
TOYOTA	HILUX REVO	15-24	KSL04467501	NEW H1
	HILUX VIGO	12-14	KSL02866501	
NISSIAN	NAVARA NP300	15-20	KSL02402301	
		21-24	KSL04403601	NEW H1
FORD	RANGER	16-22	KSL02402901	
		23-24	/	
ISUZU	D-MAX	12-20	KSL02485401	
		21-24	KSL04403501	NEW H1
CHEVY/HOLDEN	COLORADO	16-23	KSL02485401	
MAZDA	BT50	12-20	KSL02402901	
		21-24	/	
MITSUBISHI	TRITON MR/L200	19-23	KSL02488701	
		2024	/	
WOLKSWAGEN	AMAROK	23-24	/	

# S1 BULL BAR

KSL bumper replacement provides strong & stable mounting points to fit driving lights with high performance.

LED fog light and indicator light.



Include two welded aerial tabs, for additional antenna mounting.

The upright and the mounting system is the most important part of any KSL bull bar design, it is essential that the vehicle's air bag triggering are not altered when a bull bar is installed.

3 pieces skid plates are included.



▲ FORD RANGER 16-22



▲ ISUZU DMAX 2022

## APPLICATION LIST

CAR MODEL	YEAR	PART NO.	CERTIFICATE
TOYOTA	HILUX REVO	18-24	KSL029137
		15-17	KSL018189
	HILUX VIGO	12-14	KSL012941
		05-11	KSL013714
	LC70/79	14-23	KSL016777
		2024	COMING SOON
	LC200	16-22	KSL037368
LC300	23-24	KSL044038	
PRADO FJ150	17-22	KSL030088	
FORD	RANGER	16-22	KSL018346
		12-15	KSL012745
MAZDA	BT50	12-20	KSL018920
NISSIAN	NAVARA/NP300	15-20	KSL015578
		08-14	KSL024425
MITSUBISHI	TRITON	2024	COMING SOON
	TRITON MR	19-23	KSL034028
	TRITON MQ	15-18	KSL015844
ISUZU	D-MAX	2024	COMING SOON
		21-23	KSL035472
		16-20	KSL021205
		12-15	KSL013777
CHEVY/HOLDEN	COLORADO	12-16	KSL019132
WOLKSWAGEN	AMAROK	17-22	KSL023784
LDV	T60	17-23	KSL029125
SUZUKI	JIMNY	19-24	KSL034045

# S1 REAR BAR

6mm bracket and 8mm bracket optional:  
6mm: maximum towing capacity up to 2500KGS.  
8mm: maximum towing capacity up to 3500KGS.

No cutting, No drilling, easy installation within 1 hour.



Pipes attaching to the original vehicle body to prevent it from any scratches or damage to the vehicle.

Braking Light, Parking Light, Turning Light, license plate indicator light included.

Sensor holes included.

Included hitch receiver and 2" ball.



▲ TOYOTA HILUX REVO 15 -22



▲ TOYOTA LC79 07+

## APPLICATION LIST

CAR MODEL	YEAR	PART NO.
TOYOTA	HILUX REVO	15-24
	HILUX VIGO	05-14
	LC70/79	14-24
FORD	RANGER	23-24
		12-22
MAZDA	BT50	21-23
		12-20
NISSIAN	NAVARA/NP300	21-23
		15-20
MITSUBISHI	TRITON	2024
	TRITON MR	19-23
	TRITON MQ	15-18
ISUZU	D-MAX	21-24
		12-20
CHEVY/HOLDEN	COLORADO	12-16
		17-23

# LD2 BULL BAR

Unique muscular bar design for hard core off-road enthusiast.



▲ FORD RANGER PX II



▲ TOYATA HILUX REVO 2018

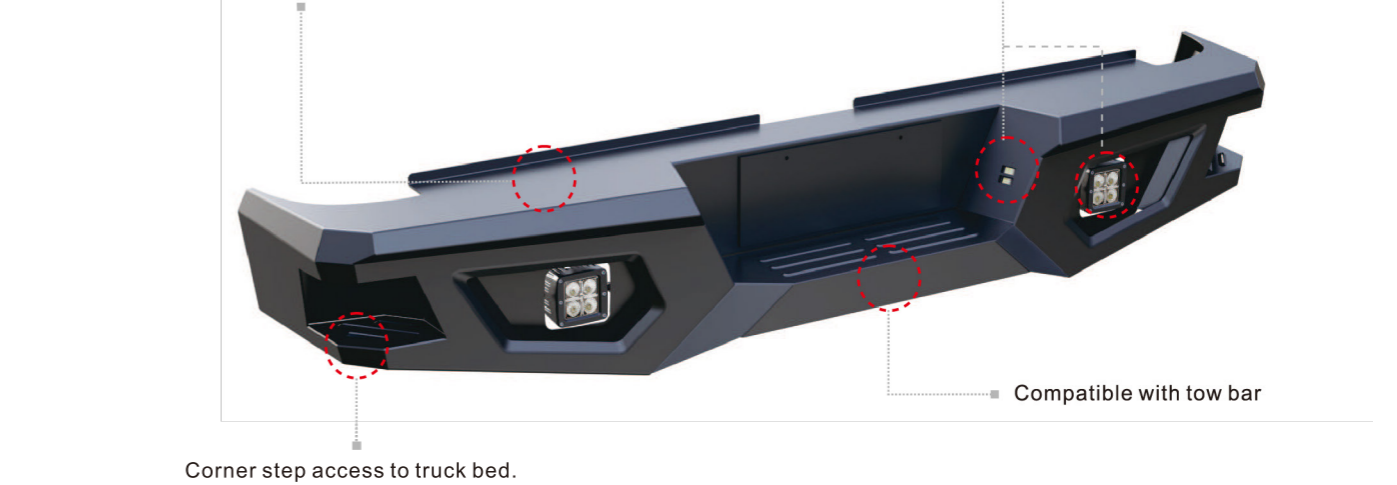
## APPLICATION LIST

	CAR MODEL		YEAR	PART NO.	CERTIFICATE
	MIDDLE SIZE PICK UP	TOYOTA	HILUX REVO	18-20	KSL031400
21-24				KSL031400	REQUIRE FACTORY GRILLE TO BE CUT
FORD		RANGER	16-22	KSL031447	ADR APPROVED
		RAPTOR	18-22	KSL033807	ADR APPROVED
NISSIAN		NAVARA/NP300	15-20	KSL031492	ADR APPROVED
MITSUBISHI		TRITON	19-23	KSL033719	ADR APPROVED
ISUZU		D-MAX	21-23	KSL039132	ADR PENDING
GREAT WALL	POER/CANNON	20-24	KSL035741	ADR APPROVED	
FULL SIZE PICK UP	CAR MODEL		YEAR	PART NO.	CERTIFICATE
	TOYOTA	TACOMA	2024	COMING SOON	WITHOUT WINCH CRADLE
			16-23	KSL030872	
	FORD	F150	22-24	KSL044327	
			15-17	KSL028896	
	DODGE	RAM1500	18-20	KSL028874	
			21-24	KSL038767	
	CHEVY	COLORADO	19-24	KSL037155	
			17-23	KSL032985	
		SILVERADO 1500	16-18	KSL028719	
			19-21	KSL030337	
22-24			KSL045211		

# LD2 REAR BAR

Durable sandy black powder coated finish for long life and easy maintenance.

license indicator lights and Square LED light included.



▲ FORD RANGER RAPTOR 2019



▲ TOYATA HILUX REVO 2018

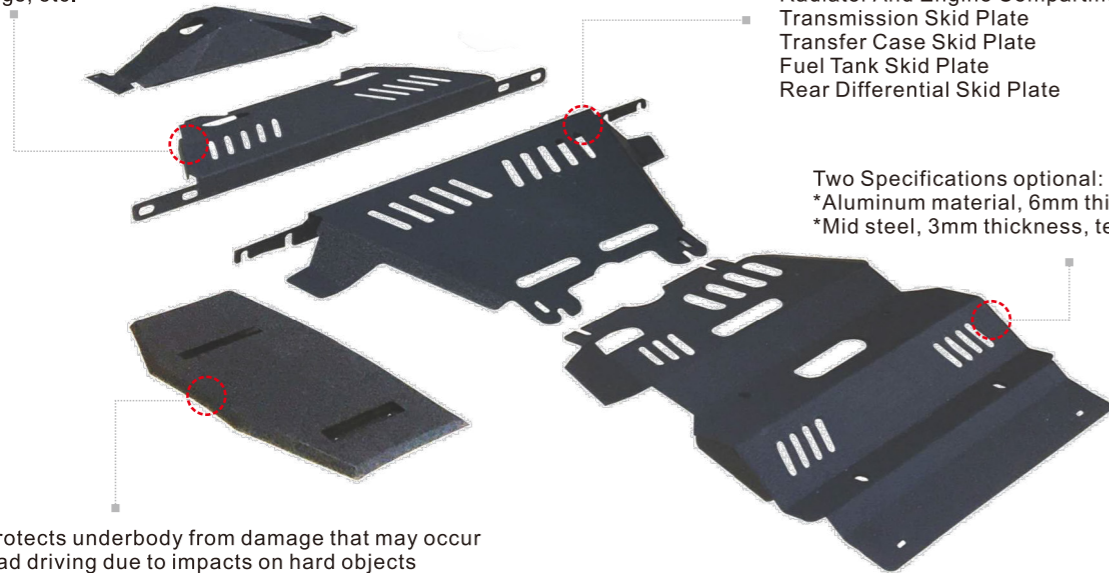
## APPLICATION LIST

	CAR MODEL		YEAR	PART NO.	CERTIFICATE
	MIDDLE SIZE PICK UP	TOYOTA	HILUX REVO	15-24	KSL031400
21-23				KSL031400	
NISSIAN		NAVARA/NP300	16-24	KSL031447	
			18-22	KSL033807	
MITSUBISHI		TRITON	15-23	KSL031492	
GREAT WALL		POER/CANNON	19-24	KSL033719	
FULL SIZE PICK UP		CAR MODEL		YEAR	PART NO.
	TOYOTA	TACOMA	2024	COMING SOON	ACCOMMODATES FACTORY HITCH RECEIVER
			16-23	KSL030872	
	FORD	F150	22-24	KSL044327	
			15-17	KSL028896	
	DODGE	RAM1500	18-20	KSL028874	
			21-24	KSL038767	
	CHEVY	COLORADO	19-24	KSL037155	
			17-23	KSL032985	
		SILVERADO 1500	16-18	KSL028719	



# SKID PLATE

Designed to allow for maintenance access to drain plugs, grease fittings, etc.



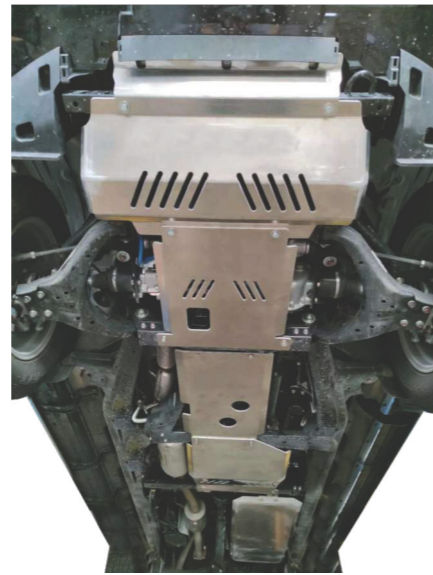
Including 5/6 section for choosing:  
 Radiator And Engine Compartment Skid Plate  
 Transmission Skid Plate  
 Transfer Case Skid Plate  
 Fuel Tank Skid Plate  
 Rear Differential Skid Plate

Two Specifications optional:  
 \*Aluminum material, 6mm thickness, silver  
 \*Mid steel, 3mm thickness, textured back.

Design to protect underbody from damage that may occur when off-road driving due to impacts on hard objects



▲ FORD RANGER 2016-2021

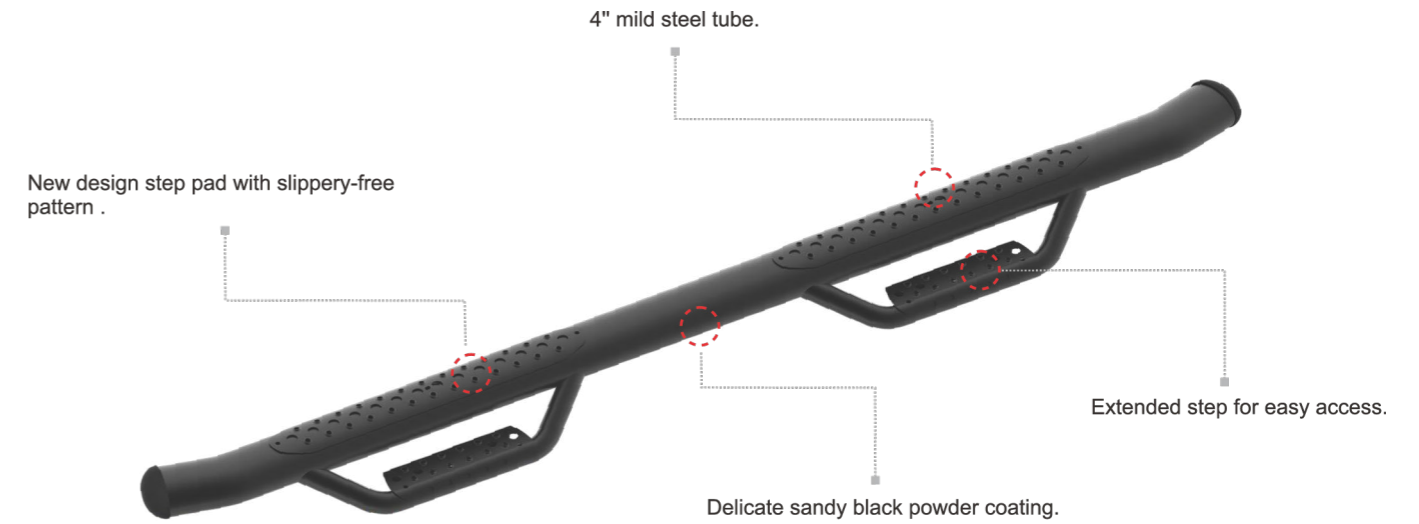


▲ ISUZU DMAX 2021

## APPLICATION LIST

CAR MODEL	YEAR	PART NO.	REMARK
TOYOTA	HILUX REVO	15-24	KSL02173301 ALUMINUM,6MM THICKNESS,SILVER
			KSL02206201 MILD STEEL,3MM THICKNESS,TEXTURE BLACK
FORD	RANGER	23-24	COMING SOON
		16-22	KSL01946001 ALUMINUM.6MM THICKNESS.SILVER
			KSL02200401 MILD STEEL, 3MM THICKNESS,TEXTURE BLACK
NISSAN	NAVARA/NP300	21-23	KSL02246501 MILD STEEL,3MM THICKNESS,TEXTURE BLACK
		2024	COMING SOON
MITSUBISHI	TRITON/1200	15-20	COMING SOON
		15-23	KSL02513601 MILD STEEL, 3MM THICKNESS, TEXTURE BLACK
ISUZU	D-MAX	20-24	KSL04314501 ALUMINUM,6MMTHICKNESS,SILVER

# HD1 SIDE BARS



## APPLICATION LIST

	CAR MODEL	YEAR	PART NO.		
MID SIZE PICKUP	TOYOTA	HILUX REVO	15-24	KSL020507+KSL020611	
		HILUX VIGO	12-14	KSL020507+KSL020629	
		TACOMA	15-23	KSL021843	
	FORD	RAPTOR	23-24	COMING SOON	
			19-22	KSL019336+KSL020603	
		RANGER	23-24	KSL019336+KSL020603	
			12-22	KSL019336+KSL020603	
	MAZDA	BT50	21-23	KSL019336+KSL020603	
	NISSIAN	NAVARA/NP300	15-24	KSL020507+KSL020637	
	MITSUBISHI	TRITON	2024	COMING SOON	
			19-23	KSL020697	
			12-20	KSL019336+KSL020546	
	ISUZU	D-MAX	21-24	COMING SOON	
CHEVY/HOLDEN	COLORADO	15-24	KSL019336+KSL020546		
	COLORADO(USA CREW CAB)	15-24	KSL035836		
	WOLKSWAGEN	AMAROK	10-22	KSL020507+KSL020649	
		JEEP	GLADIATOR	19-24	KSL042298
FULL SIZE PICKUP	FORD	F150(SUPERCREW CAB)	15-24	KSL035518	
	CHEVY	SILVERADO(CREW CAB)	19-24	KSL035484	
	DODGE	RAM(CREW CAB)	19-24	KSL035501	

# HD2 SIDE BARS



Made by 2mm thickness mild steel with the textured powder coated finish for rust-resistant

Direct bolt-on installation  
150KG load capacity on each side

Enduring popularity drop step design with 6" width step area



▲ MITSUBISHI TRITON 2019



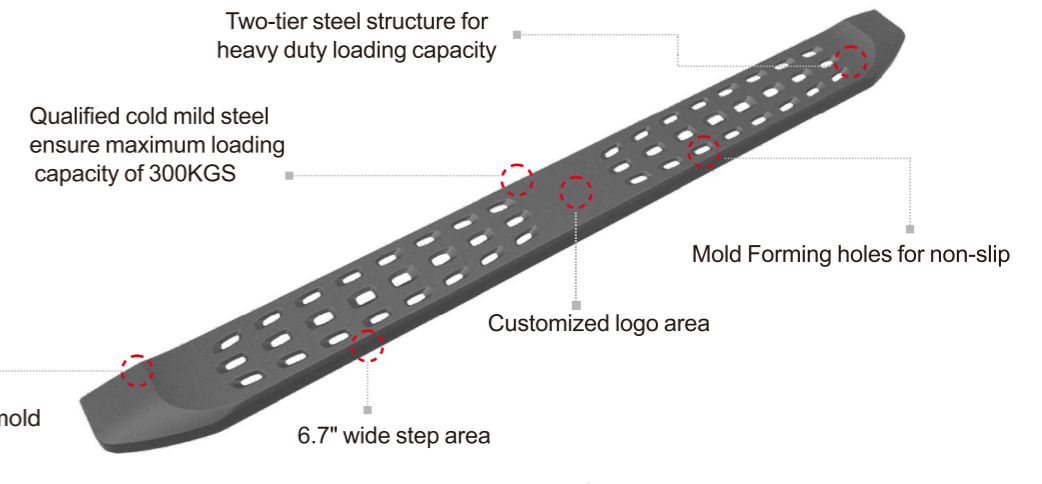
▲ TOYOTA HILUX REVO 2021

## APPLICATION LIST

	CAR MODEL	YEAR	PART NO.	
MID SIZE PICKUP	TOYOTA	HILUX REVO	15-24	KSL039233+KSL039588
		TACOMA(CREW CAB)	05-24	KSL039419
	FORD	RANGER	23-24	KSL039233+KSL039584
			12-22	KSL039233+KSL039584
	MAZDA	BT50	21-24	KSL050592
	NISSIAN	NAVARA/NP300	15-24	KSL039233+KSL039583
	MITSUBISHI	TRITON	2024	COMING SOON
			19-23	KSL050609
	ISUZU	D-MAX	12-20	KSL050515
			21-24	KSL050592
	CHEVY/HOLDEN	COLORADO	15-24	KSL050515
	WOLKSWAGEN	AMAROK	10-22	KSL047272
FULL SIZE PICKUP	FORD	F150(SUPERCREW CAB)	15-23	KSL039191
	CHEVY	SILVERADO(CREW CAB)	19-23	KSL039414
	DODGE	RAM(CREW CAB)	19-23	KSL039416
			09-18	KSL039415

# RAPTOR SIDE BARS

Heavy duty carbon steel without any plastic  
E-coating & powder coating double protection for anti-rust and anti-scratch  
Easy mounting system  
Specified brackets for suitable mounting height



Two-tier steel structure for heavy duty loading capacity

Qualified cold mild steel ensure maximum loading capacity of 300KGS

Mold Forming holes for non-slip

Customized logo area

Utility one-piece mold formed step plate design

6.7" wide step area



▲ TOYOTA HILUX REVO 2018



▲ FORD RANGER RAPTOR 2019

## APPLICATION LIST

	CAR MODEL	YEAR	PART NO.	
MID SIZE PICKUP	TOYOTA	TACOMA	15-23	KSL034138
		HILUX REVO	15-24	KSL035311+KSL018770
		HILUX VIGO	12-14	KSL035311+KSL019387KS
	FORD	RAPTOR	19-22	L035311+KSL018768
		RANGER	12-22	KSL035311+KSL018768
			23-24	KSL035311+KSL044772
	MAZDA	BT50	21-24	KSL035311+KSL035598
			12-20	KSL035311+KSL018764
	NISSIAN	NAVARA/NP300	15-24	KSL035311+KSL018764
			08-14	KSL035311+KSL022185
	MITSUBISHI	TRITON	2024	KSL035311+KSL050062
	ISUZU	D-MAX	15-23	KSL035311+KSL018767
			20-24	KSL035311+KSL035598
	CHEVY/HOLDEN	COLORADO	12-19	KSL035311+KSL018782
			12-24	KSL035311+KSL018782
		COLORADO(USA)	15-24	KSL035311+KSL20036613
	WOLKSWAGEN	AMAROK	10-22	3 KSL035311+KSL008182
23-24			KSL035311+KSL044772	
MERCEDES BENZ	X-CLASS	18-24	KSL035311+KSL026752	
GWM	POER/CANNON	20-24	KSL035311+KSL042904	
LDV	T60/T60 MAX	17-24	KSL035311+KSL037210	
FULL SIZE PICKUP	FORD	F150(SUPERCREW CAB)	15-24	KSL034140
	CHEVY	SILVERADO(CREW CAB)	19-24	KSL034143
	DODGE	RAM(CREW CAB)	19-24	KSL036941+KSL036958
	TOYOTA	TUNDRA(CREW MAX)	07-22	KSL034137

# MT2 ROLL BAR



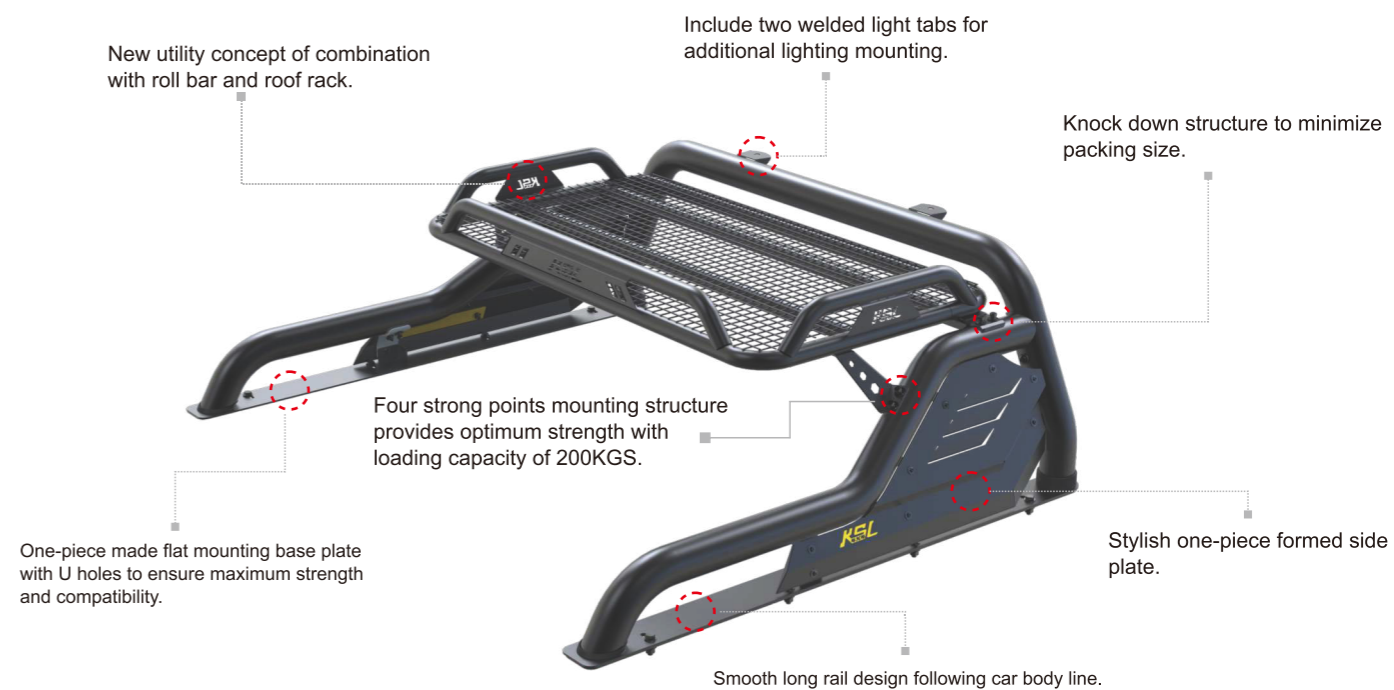
WITH TONNUEA COVER BASE

WITH LONG BACK RAIL

## APPLICATION LIST

CAR MODEL	YEAR	FLAT BASE PART NO.	COVER BASE PART NO.
TOYOTA	15-24	KSL051183	KSL050792
FORD	12-22	KSL051183	KSL050792
	23-24	KSL047201	KSL050792
FORD	12-24	KSL051183	KSL050792
	12-24	KSL051183	KSL050792
NISSIAN	15-24	KSL051183	KSL050792
MITSUBISHI	2024	KSL051183	KSL050792
	15-23	KSL051183	KSL050784
ISUZU	12-24	KSL051183	KSL050792
MAZDA	12-24	KSL051183	KSL050792
VOLKSWAGEN	12-24	KSL051183	KSL050792

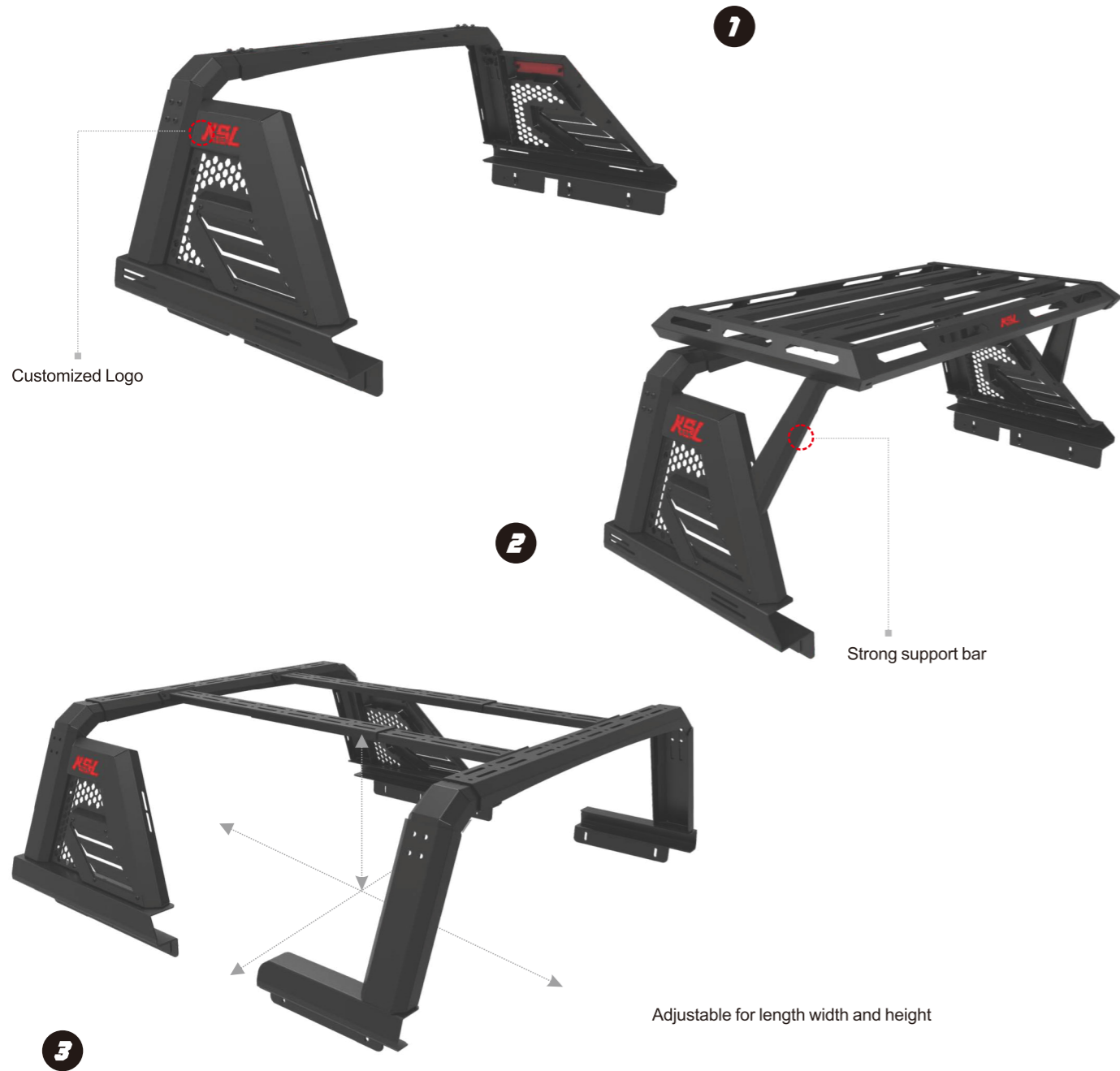
# ML ROLL BARS



## APPLICATION LIST

CAR MODEL	YEAR	PART NO.
TOYOTA	15 -24	KSL027863
FORD	19-22	KSL027863
	12 -22	KSL027863
FORD	23-24	KSL048458
	21 -24	KSL027863
MAZDA	12 -20	KSL027863
NISSAN	15-24	KSL029799
MITSUBISHI	2024	KSL027863
	15-23	KSL027613
ISUZU	20-24	KSL027863
	12-19	KSL027863
CHEVY/HOLDEN	12-24	KSL027863
	15-24	/
VOLKSWAGEN	10-22	/
	23-24	KSL048458
SSANGYONG	18-24	KSL032149
CHEVY	07-24	KSL036898
LDV	17-24	KSL027863
GREAT WALL	20-24	KSL027863

# MR2 ROLL BAR



- ▶ Steel plate modular design, distinguish from traditional tubular roll bar
- ▶ Knock down/Modular design with minimized packing size more friendly for E-commerce
- ▶ Width can be adjustable for multi-vehicles installation and easy stock management
- ▶ Provide playful range of combination:
  - 1 MR2 ROLL BAR: Concise and elegance style
  - 2 MR2 ROLL BAR + ROOF RACK: Off road enthusiastic style
  - 3 MR2 ROLL BAR + LADDDER RACK: Utility and multipurpose style

# MR2 ROLL BAR

## FORD RANGER 2012-2021



### APPLICATION LIST

	CAR MODEL	YEAR	PART NO.			
			ROLL BAR	ROOF RACK	LADDER RACK	
MID SIZE PICKUP	TOYOTA	HILUX REVO	15-24	KSL03897701	KSL03730502	KSL03730602
	NISSAN	NAVARA NP300	15-24			
	FORD	RANGER	12-24			
		RANGER RAPTOR	18-24			
	ISUZU	D-MAX	12-24			
	MAZDA	BT50	12-24			
	MITSUBISHI	TRITON MR/L200	19-24			
	VOLKSWAGEN	AMAROK	12-24			
LDV	T60	17-24				
GWM	CANON	20-24				
	CAR MODEL	YEAR	PART NO.			
			ROLL BAR	ROLLBAR+ROOF RACK	LADDER RACK	
FULL SIZE PICKUP	FORD	F150	15-24	KSL03856501	KSL03969501	KSL03969601
	CHEVY	RAM1500	19-24	KSL03856501	KSL03969501	KSL03969601
		SILVERRADO 1500	07-24	KSL03856501	KSL03969501	KSL03969601

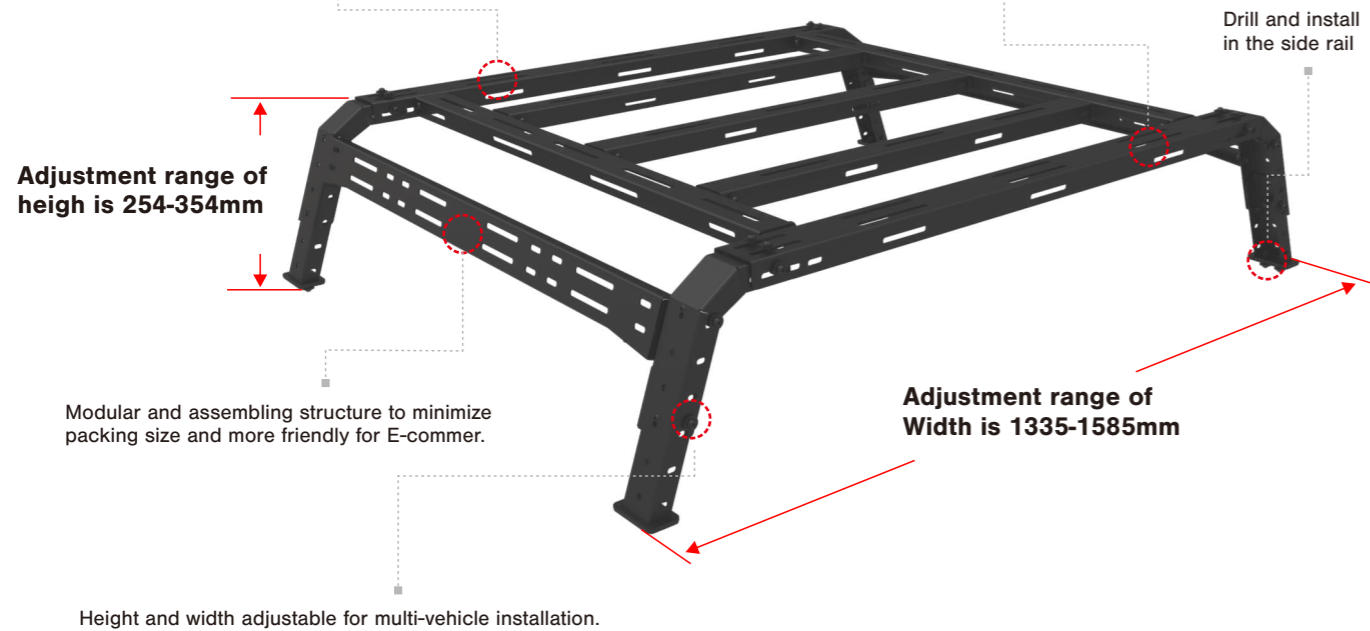
# UNIVERSAL UTILITY BED RACK

# UNIVERSAL UTILITY BED RACK

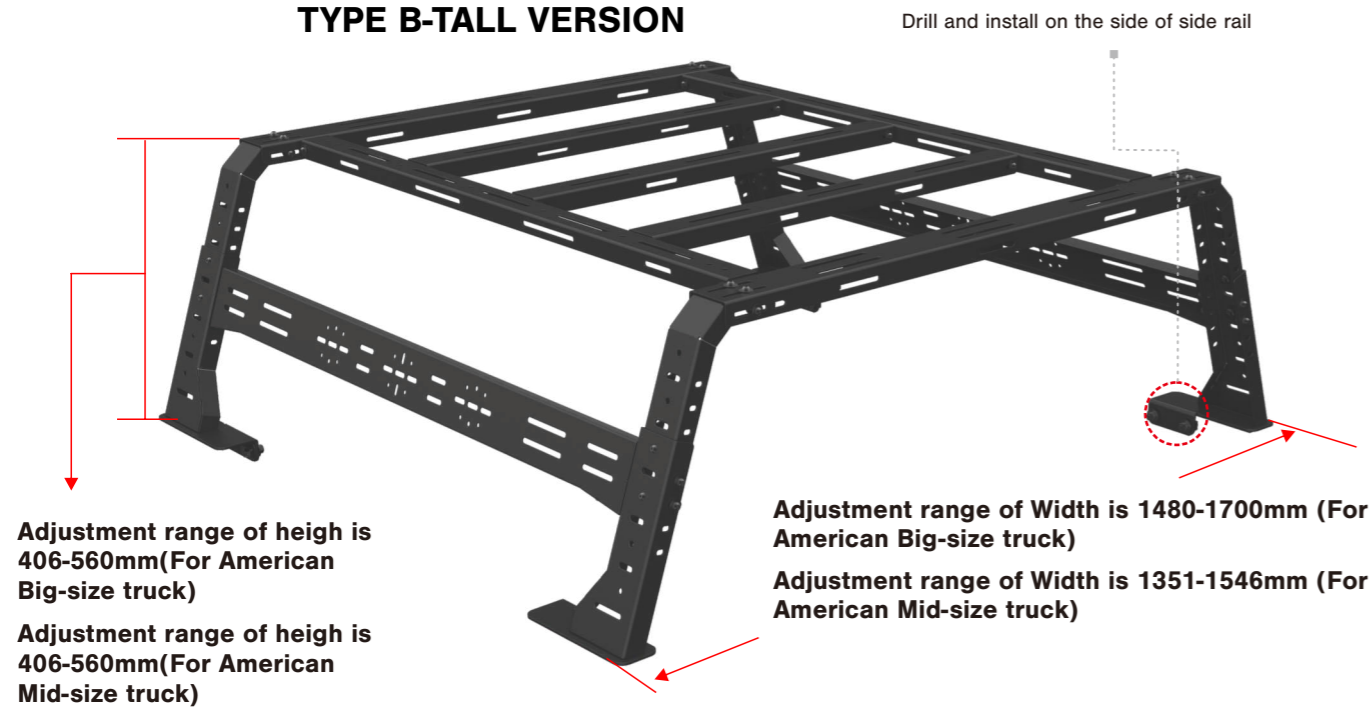
Designed for carrying overlands tents, expedition tools, extension ladders, fishing tools, boat etc.

Playload Capacity: 400KG

## TYPE A-LOW VERSION



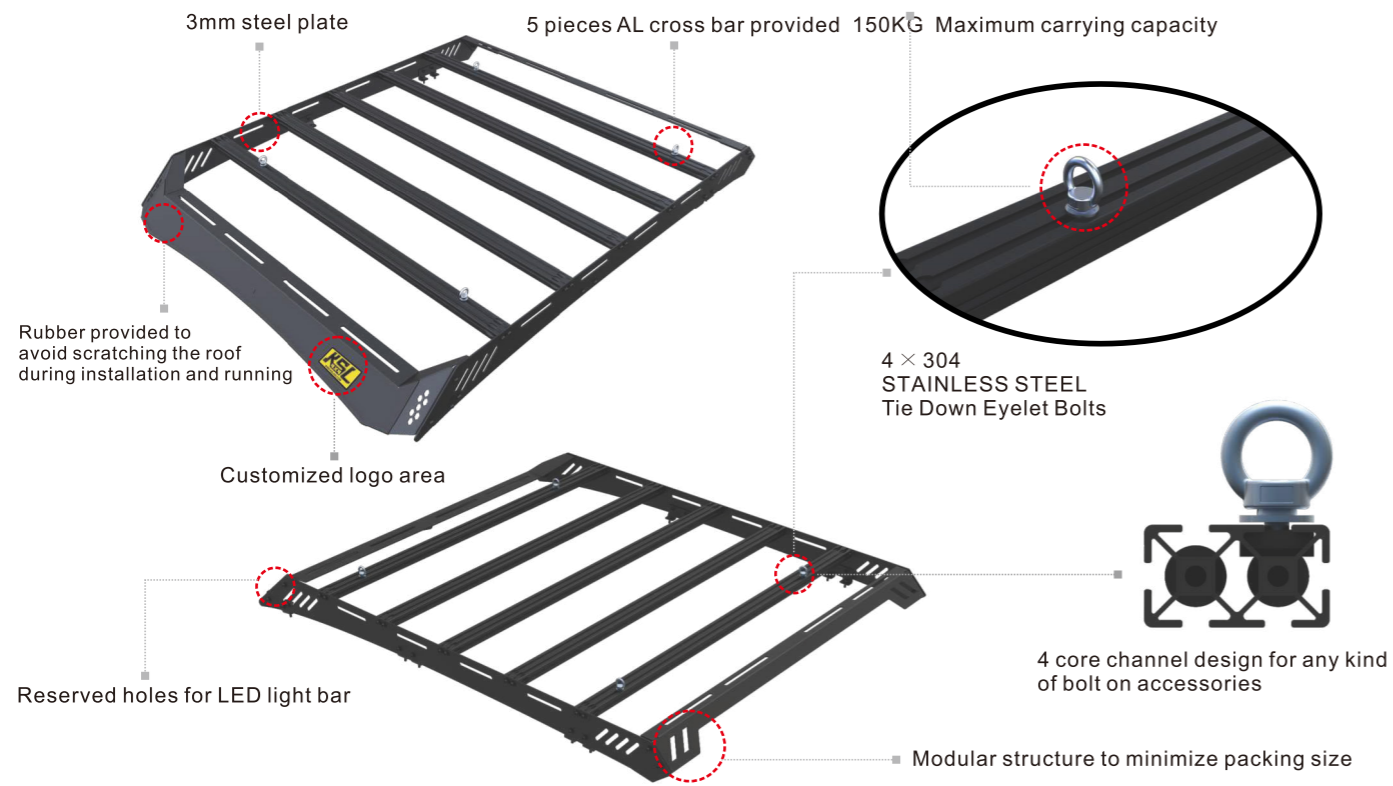
## TYPE B-TALL VERSION



## APPLICATION LIST

	CAR MODELS	REMARK	ITEM NO.
INTERNATIONAL TRUCKS	TOYOTA HILUX VIGO TOYOTA HILUX REVO FORD RANGER MAZDA BT50 NISSAN NAVARA NP300	TYPE A	PW039949
	ISUZU D-MAX GREAT WALL P-SERIES/UTE LDV T60	TYPE B	PW046885
AMERICAN BIG-SIZE TRUCKS	CHEVROLET SILVERADO(5.5 ft bed) GMC SIERRA(5.5 ft bed) DODGE RAM(5.5 ft bed) FORD F150(5.5 ft bed) TOYOTATUNDRA(5.5 ft bed) NISSAN TITAN(5.5 ft bed)	TYPE B	PW045835
AMERICAN MID-SIZE TRUCKS	TOYOTACOMA(5 ft bed) CHEVY COLORADO(5 ft bed) NISSAN FRONTIER(5 ft bed) FORD RANGER(5 ft bed)	TYPE B	PW045719
AMERICAN MID-SIZE TRUCKS	JEEP GLADIATOR(5 ft bed)	TYPE B	PW042324

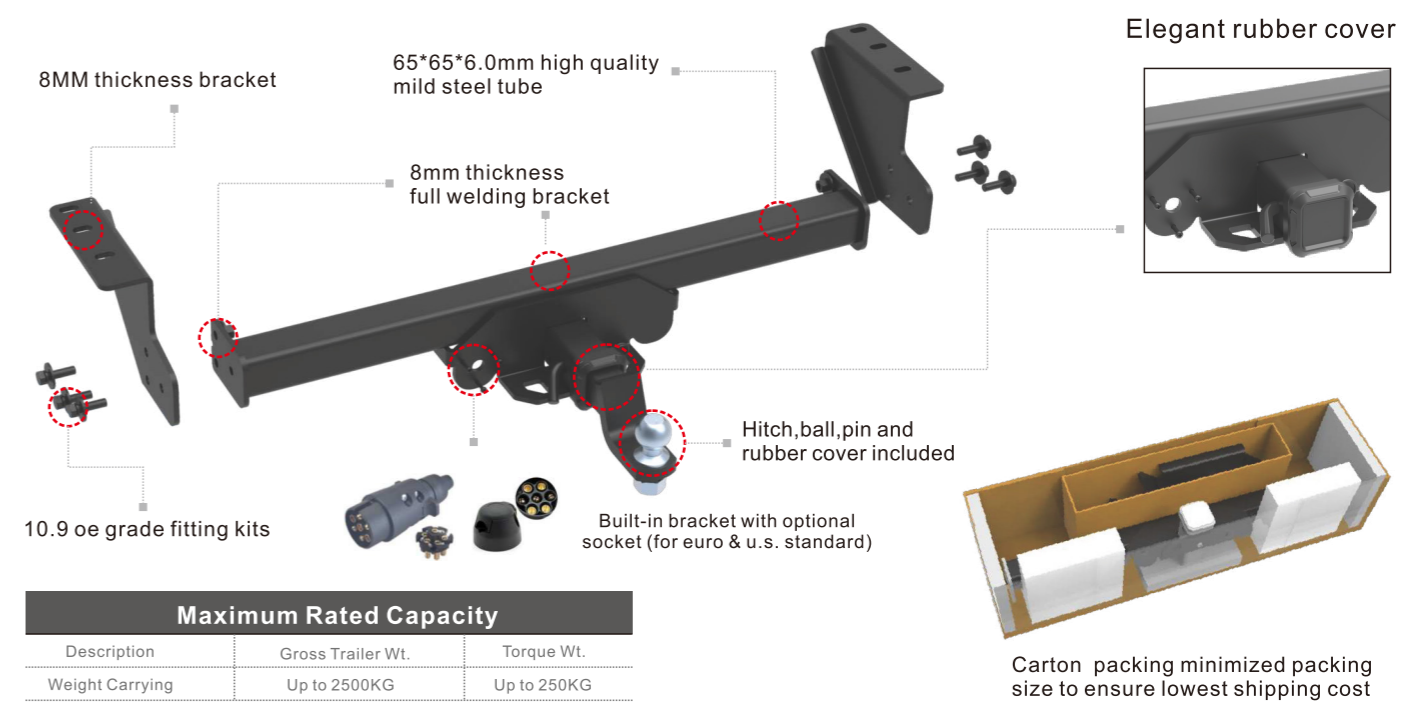
# T3 ROOF RACK



## APPLICATION LIST

CAR MODEL	YEAR	PART NO.	
TOYOTA	HILUX REVO	15-24	KSL045939
	PRADO	10-23	KSL047581
	4RUNNER	10-24	KSL047547
	FORTUNER	16-24	KSL050526
	LAND CRUISER PRADO 250	2024	KSL057084
NISSAN	NAVARA/NP300	15-24	KSL042725
FORD	RANGER	23-24	KSL044916
ISUZU	D-MAX	20-24	KSL042736
MAZDA	BT50	21-24	KSL042736
MITSUBISHI	TRITON	2024	KSL058033
		15-23	KSL042732
	PAJERO SPORT	16-24	KSL050523
VOLKSWAGEN	AMAROK	23-24	KSL044916
SUZUKI	JIMNY/3 DOOR	19-23	KSL045412
	JIMNY/5 DOOR	2024	KSL056922

# MODULAR TOW BAR



## Maximum Rated Capacity

Description	Gross Trailer Wt.	Torque Wt.
Weight Carrying	Up to 2500KG	Up to 250KG



▲ ISUZU DMAX 2021



▲ TOYOTA HILUX REVO 2021

## APPLICATION LIST

CAR MODEL	YEAR	PART NO.	
TOYOTA	HILUX REVO	15-24	KSL037076
	FORTUNER	10-24	KSL048314
	RAV4	19-24	KSL048990
	PRADO	10-23	KSL048987
NISSAN	NAVARA/NP300	15-23	KSL036918
		18-24	KSL038785
FORD	RANGER	23-24	KSL044850
		12-22	KSL037078
		18-24	KSL039340
	EVEREST	15-24	KSL038723
MAZDA	BT50	21-24	KSL038185
MITSUBISHI	TRITON/1200	2024	KSL050037
		15-23	KSL037082
	PAJERO SPORT	12-24	KSL048367
ISUZU	D-MAX	20-24	KSL038185
	MUX	12-24	KSL038157
SUZUKI	JIMNY	19-24	KSL037646

# FENDER FLARE

 **PAINTABLE SURFACE**

 **TEXTURED SURFACE**

High quality ABS/PP plastic, textured surface and paintable surface are available

Simply stainless steel screw & washers to provide rivet fender flare appearance

Mounting points.

Aggressive and heavy-duty Fender flares to protect your vehicle from elements

Rubber weather stripping included to prevent water leaks and scratches on the body panels.



## APPLICATION LIST

	CAR MODEL	YEAR	PART NO.	
AMERICAN TRUCKS	CHEVY	SILVERADO 1500	19-23	KSL00539102
		SILVERADO1500LONGBED.6.6FT/8 FT	14-18	KSL00539201
		SILVERADO 1500(SHORT BED,5.8FT)	14-18	KSL00539301
	DODGE	RAM 1500	19-23	KSL00539902
			09-18	KSL00539901
	FORD	F150	18-23	KSL00538502
			15-17	KSL00541301
	TOYOTA	TACOMA	16-23	KSL02080101
			2024	COMING SOON
			14-22	KSL00540701
23-24			COMING SOON	
MID SIZE PICKUP	TOYOTA	HILUX REVO	21-23	KSL00534085
			19-20	KSL00436913
			15-18	KSL00534054
	FORD	RANGER T9	2023	KSL00369437
		RANGER T8	19-22	KSL00436944(WITHWITHOUT SENSOR HOLE)
		RANGER T7	16-18	KSL00405732/KSL00535633
	MAZDA	BT50	21-23	KSL00403925/KSL00456243
			16-20	KSL00480986/KSL00480969
	NISSAN	NAVARA/NP300	21-23	KSL00456229/KSL00369405
	MITSUBISHI	TRITON/1200	2024	COMING SOON
			15-23	KSL00383041/KSL00367351
	ISUZU	D-MAX	20-23	KSL00377320
16-19			KSL00541002	
VOLKSWAGEN	AMAROK	10-22	KSL00392410	
		2023	COMING SOON	

# BONNET GUARD

Material: Acrylic, black.

Dynamic design significantly reduces windage, and protect from direct impact of small stones

Logo branded area.

Clamp bracket, no drilling, easy installation



## APPLICATION LIST

	CAR MODEL	YEAR	PART NO.
TOYOTA	HILUX REVO	15-23	KSL00417203
NISSAN	NAVARA/NP300	15-20	KSL00456223
		21-23	KSL00456247
FORD	RANGER	2023	KSL00367743
		16-22	KSL00405731
MAZDA	BT50	12-20	KSL00480961
		21-22	KSL00480993
MITSUBISHI	TRITON/1200	2024	KSL00383517
		15-23	KSL0382924
ISUZU	D-MAX	20-23	KSL00377319
		16-19	KSL00377306
VOLKSWAGEN	AMAROK	10-22	KLS00379267
		2023	COMING SOON
GWM	POER/CANNON	20-23	KSL00437114
LDV	T60/T60 MAX	17-23	COMING SOON

# SUZUKI JIMNY 19-24

# FORD BRONCO 21-24

## SUZUKI JIMNY 2024-5 Door



**KSL 032719+KSL033814**  
55"X45"FA ROOF RACK  
FOR JIMNY 3 DOOR



## SUZUKI JIMNY 2019-3 Door

**KSL056922**

T3 ROOF RACK FOR JIMNY 5 DOOR



**KSL 034045**

S1 BULLBAR FIT BOTH 3 DOOR  
AND 5 DOOR

**KSL 034263**

GRILLE GUARD FIT BOTH 3 DOOR  
AND 5 DOOR

**KSL036036**

3" SIDE BAR (STRAIGHT) FOR  
JIMNY 3 DOOR

**KSL036045**

3" SIDE BAR (STRAIGHT) FOR  
JIMNY 3 DOOR



**KSL034493+KSL034593**

B3 SIDE STEP FOR JIMNY 3 DOOR

**KSL057133+KSL 034593**

B3 SIED STEP FOR JIMNY 5 DOOR



**KSL035778**

LADDER RACK FIT BOTH 3 DOOR AND 5 DOOR



**PW041177**

FB1 HD TUBULAR  
FRONT BUMPER  
OPTIONAL SKID PLATE:PW041488



**PW040467**

FB1 TUBULAR STYLE  
REAR BUMPER



**PW040424**

FB2 PLATE STYLE  
WINCH FRONT BUMPER  
OPTIONAL SKID PLATE:PW041488



**PW040438**

FB2 PLATE STYLE  
REAR BUMPER

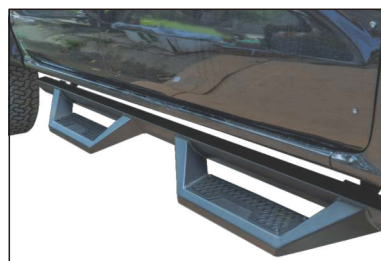




**PW043025**  
MODULAR GRILLE GUARD



**PW048806**  
RAMBLER GRILLE GUARD BRACKET:PW048867



**PW050862**  
HD2 SIDE STEP BRONCO 4 DOOR



**PW039907**  
NB1 RUNNING BOARD 2 DOOR:PW040621



**PW041690**  
94" x 50" PR1 PLATFORM RACK BRONCO 4 DOOR W/HARDTOP (Excl. OE Roof Rack)



**PW051446**  
TEXTURED BLACK ACCESSORY SIDE PANEL OPTIONAL SIDE STORAGE BOX: PW050079



**PW056959**  
PLATFORM RACK 4 DOOR W/HARD TOP



**PW00535019**  
SIDE LADDER FOR VEHICLE ALREADY FIT PW056959 PLATFORM RACK



**PW040577**  
FRONT FENDER FLARE FOR BRONCO 2 & 4 DOOR (Excl. Heritage Edition, Heritage Limited Edition, Everglades, and Raptor)  
REAR FENDER FLARE FOR 2 DOOR:PW041848  
REAR FENDER FLARE FOR 4 DOOR:PW041138



**PW040019**  
2" RECEIVER HITCH



**PW041912**  
FRONT BUMPER ADAPTED TO ORIGINAL FOG LIGHT WITH WINCH BRACKET & BLACK D-SHACKLE NEED TO REMOVE THE ORIGINAL WIPER BOTTLE WIPER BOTTLE REPLACEMENT: PW049015



**PW041909**  
REAR BUMPER WITHOUT HITCH&BALL



**PW04191301**  
AL. FRONT BUMPER ADAPTED TO ORIGINAL FOG LIGHT WITH WINCH BRACKET & BLACK D-SHACKLE NEED TO REMOVE THE ORIGINAL WIPER BOTTLE WIPER BOTTLE REPLACEMENT: PW049015



**PW04189701**  
AL. REAR BUMPER WITHOUT HITCH&BALL

# GWM TANK 300



**PW041910**  
RUNNING BOARD



**PW041915**  
RUNNING BOARD



**PW038523**  
RUNNING BOARD



**PW045724**  
RUNNING BOARD



**PW00535019**  
SIDE LADDER  
NEED TO COMPATIBLE  
WITH ROOF RACK



**PW045069**  
ALUMINUM ROOF PLATFORM  
OPTIONAL SIDE RAIL:PW045331



**PW041920**  
ALUMINUM FENDER FLARE  
COMPATIBLE WITH FACTORY BUMPER AND WINBO BUMPER  
OPTIONAL ALUMINUM FENDER FLARE LINING:PW042668